

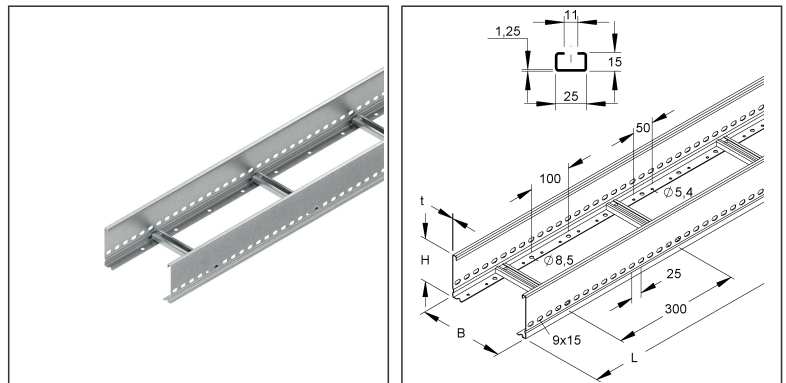
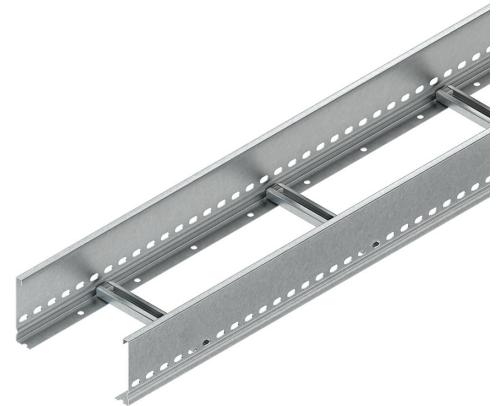
Cable Ladder

rung spacing 300 mm, with continuously perforated side profiles, with riveted, upwardly open rungs made of C-profiles with 11 mm slot width

KL 100.203/3 F

EAN Code: 4013339014712
 Smallest packaging unit: 3 m
 quantity unit: m M

the photorealistic images are to be considered as reference images



Article Description

Cable ladder, 100x200x3000 mm, t=1,5 mm, perforated, steel, hot dip galvanised DIN EN ISO 1461

Additional Price Information

Article group	N13
quantity unit	m

Weight

Weight per quantity unit	3,871 kg/ m
Weight in kg per 100	387 kg / 100m

Technical Datasheet

Cable Ladder System

KL 100.203/3 F

the photorealistic images are to be considered as reference images

Physical Article Dimensions

Height	100.00 mm
Width	200.00 mm
Depth/length	3000 mm

Packing Dimension

3 meters = 1 piece		✓ VP1-smallest packaging unit (PU)			
Lenght	3000 mm	Width	200.00 mm	Height	100.00 mm
Gross weight	12 kg	Volume	0,060 m ³		
Min. quantity	3.00 m	Max. Quantity	3.00 m		

Tender Text

Cable ladder acc. to DIN EN 61537, with continuously perforated and profiled side rails, with riveted rungs made of C-profiles with 11 mm slot width.
 Corresponding U-clamps: BA... and BAK...
 Dimensions (approx. dimensions)
 Height H x Width W : 100 x 200 mm
 Material thickness side rail : 1.5 mm
 Rung distance : 300 mm
 Side rail perforation : 9 x 15 mm
 Center distance : 25 mm
 Base perforation : Ø 8.5 mm
 Center distance : 100 mm
 Delivery length L : 3000 mm
 Transport length : 3000 mm + W
 Usable cross-section : 16500 mm²
 Material : Steel, hot-dip galvanised acc. to DIN EN ISO 1461
 NIEDAX Model No. : KL 100.203/3 F
 EP Material _____ EP Wage _____
 Unit price/meter

Safety & Environment

REACH Date	05.11.2025
REACH Info	Conformable
RoHS Info	Conformable

Origin & International Trade

Country of origin	DE
Federal State of Origin	RP
Customs tariff number	73089059

Technical Datasheet

Cable Ladder System

KL 100.203/3 F

the photorealistic images are to be considered as reference images

Related items

Cover

Model No.	Description
RD 200 F	Cover for cable tray/-ladder, with joint strip, 202x3000 mm, steel, hot dip galvanised DIN EN ISO 1461
RDRS 9 F	Turning bolt with locking nut acc. to DIN EN ISO 10511, steel, hot dip galvanised DIN EN ISO 1461, incl. accessories
RDV 200 F	Cover for cable tray/-ladder, with joint strip, 202x3000 mm, steel, hot dip galvanised DIN EN ISO 1461

Barrier strip

Model No.	Description
KLWC 11 F	Barrier strip fastening clamp, for 11 mm slot width, steel, hot dip galvanised DIN EN ISO 1461, incl. accessories
RW 85 F	Barrier strip, 80x3000 mm, t=0,9 mm, steel, hot dip galvanised DIN EN ISO 1461, incl. accessories

Connector

Model No.	Description
KSV 100 F	Splice plate for cable ladder, height 100 mm, steel, hot dip galvanised DIN EN ISO 1461, incl. accessories